

POSITION 1 OF THIS SECTION IS CONTACT ARM

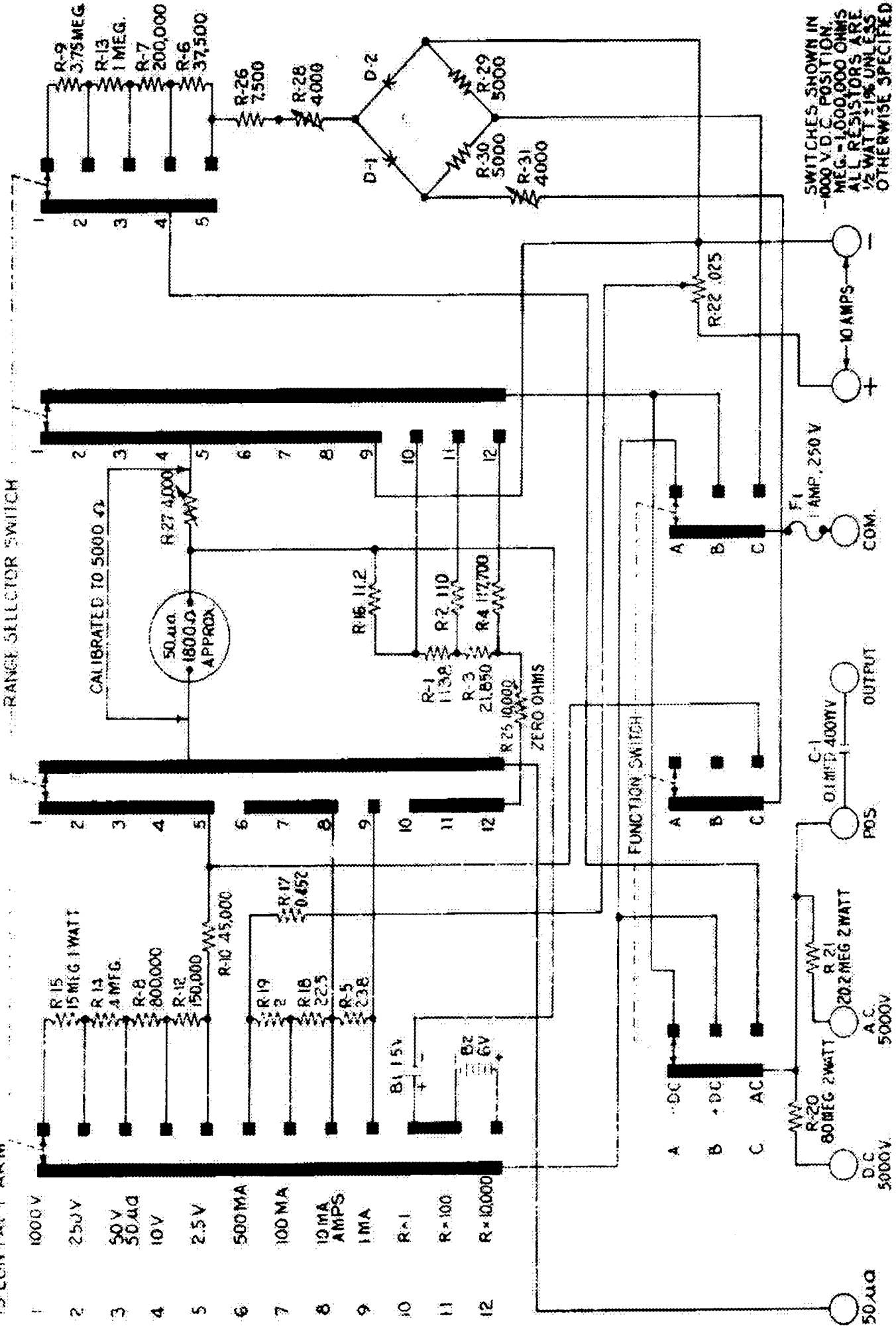


FIGURE 2. OVERALL SCHEMATIC, SIMPSON VOLT-OHM-MILLIAMMETER 260[®] SERIES III