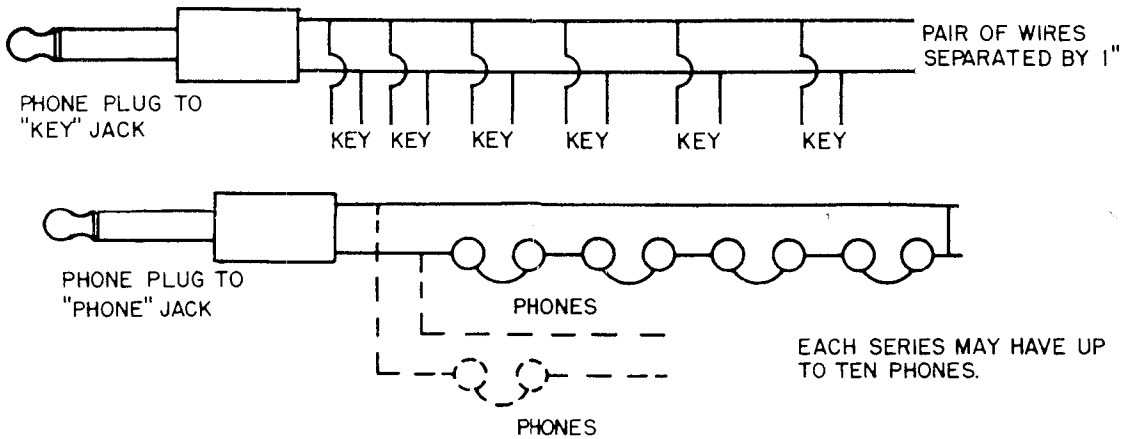


## The Insuline DeLuxe Signa-Tone

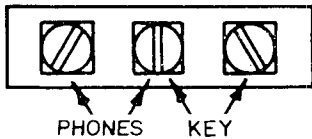
The ICA Signatone, both Deluxe and Classroom Models may be used in a number of different applications:

1. As a Code Practice Set: Up to 25 keys and sets of phones may be wired, as shown, enabling any member of the group to send or receive.



If more than 10 pairs of phones are to be used, 2 circuits should be used, shown in solid and dotted. This gives 2 circuits of an equal number of pairs of phones in each.

When using the phones, the speaker in the No. 4300 Signatone is automatically disconnected.

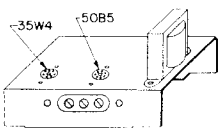


On the No. 4301 Signatone there are three terminals in the rear. (See illustration at left.)

The procedure for connecting is the same as described above, except that the rear terminals are used for convenience. Although a key may be plugged into the jack in addition to the keys connected in the rear, it is preferable to leave the phone jack unused, except when 2 pairs of phones are used, one in the jack, the other on the terminal strip.

2. As a Keying Monitor: An amateur may connect a relay to key the transmitter and monitor simultaneously. The relay must have at least two sets of normally open contacts. One set of contacts will be required to key the transmitter, the other set to key the signatone. Such a relay is usually referred to as D.P.S.T. (Double Pole Single Throw) normally open contacts. A D.P.D.T. (Double Pole Double Throw) contact arrangement may also be used. The choice of the relay will depend on the power source available for the relay coil which will vary with individual installations.

3. As a Modulation Signal or a Signal Tracer in Audio Circuits: The output of the signatone may be fed into the modulator and voltage adjusted for proper audio output. This is much more reliable than talking or whistling into the mike. For signal tracing, the output of the signatone is fed into the grid circuit of any stage and if a much louder signal is obtained at the plate of the same tube, the stage is O.K. A defective stage will have low or no output.



**WARNING:** Use 35W4 and 50B5 tubes only! Do not use any other tube or damage may result. The 35W4 is used in the socket on the left looking at the rear of the chassis. See illustration at left.)

Printed in U.S.A.



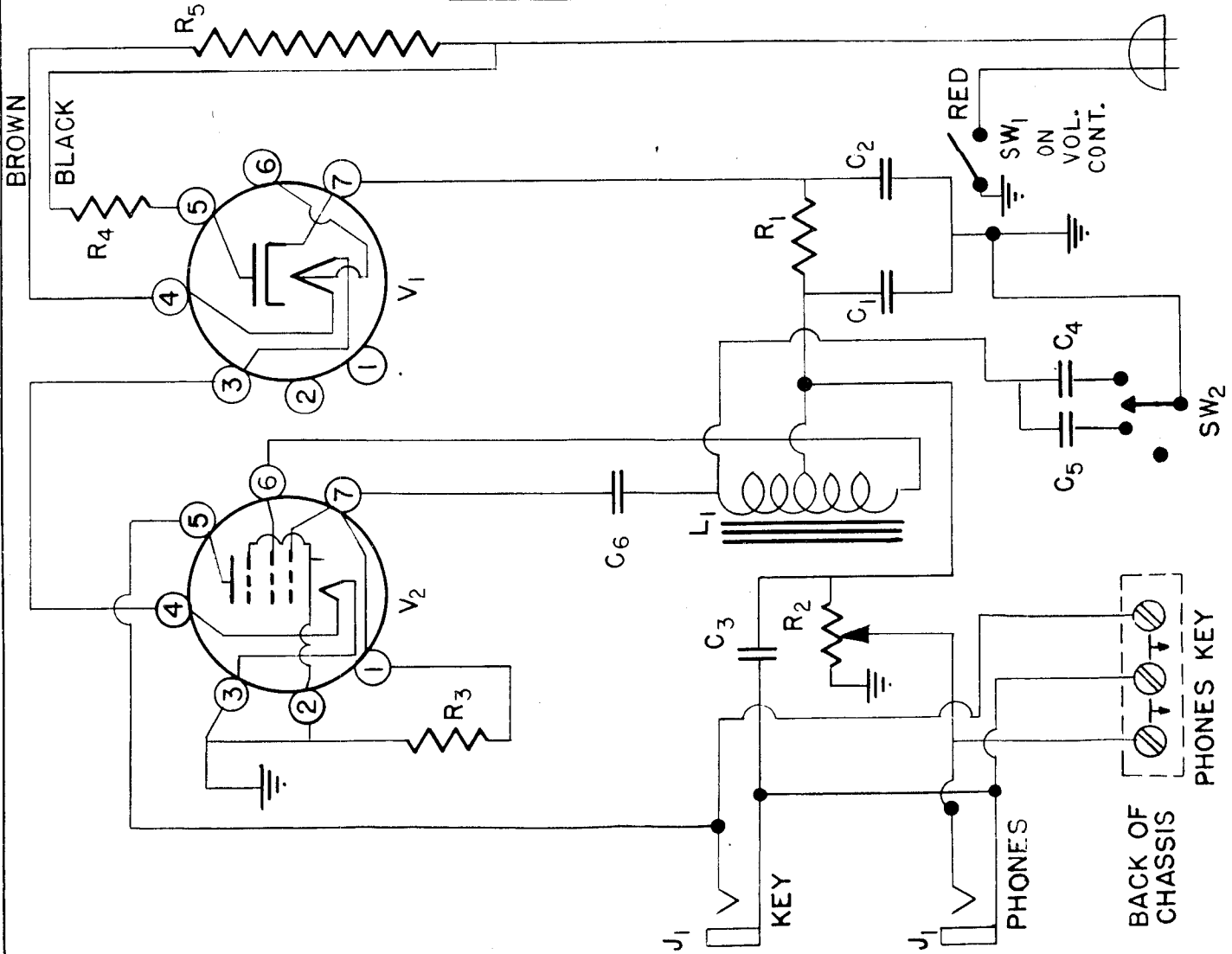
# INSULINE CORPORATION OF AMERICA

3602 35th Avenue, Long Island City 1, New York



NOTE:

THIS SCHEMATIC DIAGRAM SUPERSEDES OLD SCHEMATIC DATED 4-25-47 WHICH USED ONE 117L7GT.



L1	CT. CHOKE 2E77
SW2	SP. 3T-1 CONT. WIPER
J1	I.C.A.#1870 JACK
R5	220Ω I.C.A.#516 RESISTOR CORD
R4	50Ω 1/4 W
R3	50MΩ 1/4 W GRID RESISTANCE
R2	100MΩ V.C. WITH SW1
R1	2MΩ 1W FILTER RESISTANCE
C6	.01-400V-PAPER FEED BACK
C5	.01-400V-PAPER MED. FR.
C4	.02-400V-PAPER LOW FR.
C3	.001-400V-PAPER
C1-2	20MFD-150V.ELECTRO. COND.
V2	50B5
V1	35W4

TITLE SIGNATONE (SCHEMATIC DIAGRAM)

AUTHENTICATION	
DRAWN BY <i>J.S.</i>	APPROVED <i>J.S.</i>
DATE 1-17-52	DRAWING NO.
INSULINE CORPORATION OF AMERICA N.Y.	
4301	